

ZX "VORTEX"

Submersible pumps

for very dirty water



PERFORMANCE RANGE

- Flow rate up to **400 l/min** (24 m³/h)
- Head up to **11 m**

APPLICATION LIMITS

- **5 m** maximum immersion depth
- Maximum liquid temperature **+40 °C**
- Passage of suspended solids up to **Ø 40 mm**
- Suction down to **50 mm** above ground level
- **240 mm** minimum immersion depth for continuous service

CONSTRUCTION AND SAFETY STANDARDS

- Complete with **5 m** long power cable

EN 60335-1
IEC 60335-1
CEI 61-150

EN 60034-1
IEC 60034-1
CEI 2-3



CERTIFICATIONS



AN30

PROMTECT-168

INSTALLATION AND USE

ZX series pumps are suitable for draining **waste water** in domestic applications and for pumping dirty water containing suspended solids up to Ø 40 mm. They distinguish themselves for the ease with which they are installed and their reliability under automatic operating conditions in fixed installations.

PATENTS - TRADE MARKS - MODELS

- Registered Community Design n° 342159-0015

OPTIONALS AVAILABLE ON REQUEST

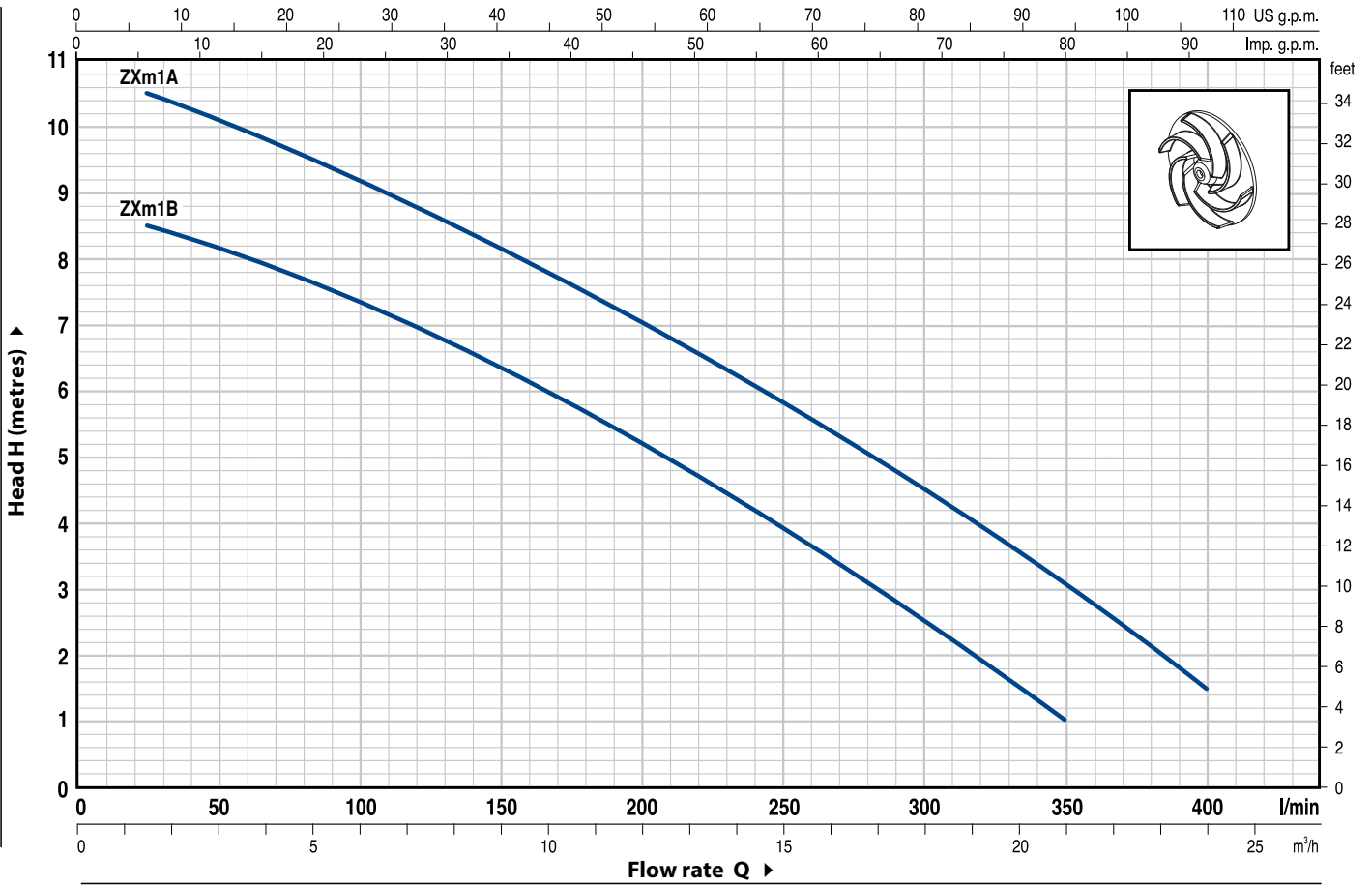
- Special mechanical seal.
- Pumps with a **10 m** long power cable
 - ⇒ N.B. Standard EN 60335-2-41 states that the power cable must be 10 m long for outdoor applications
- Single-phase pumps without float switch
- Other voltages or 60 Hz frequency

GUARANTEE

2 years subject to terms and conditions

CHARACTERISTIC CURVES AND PERFORMANCE DATA

50 Hz n= 2900 1/min

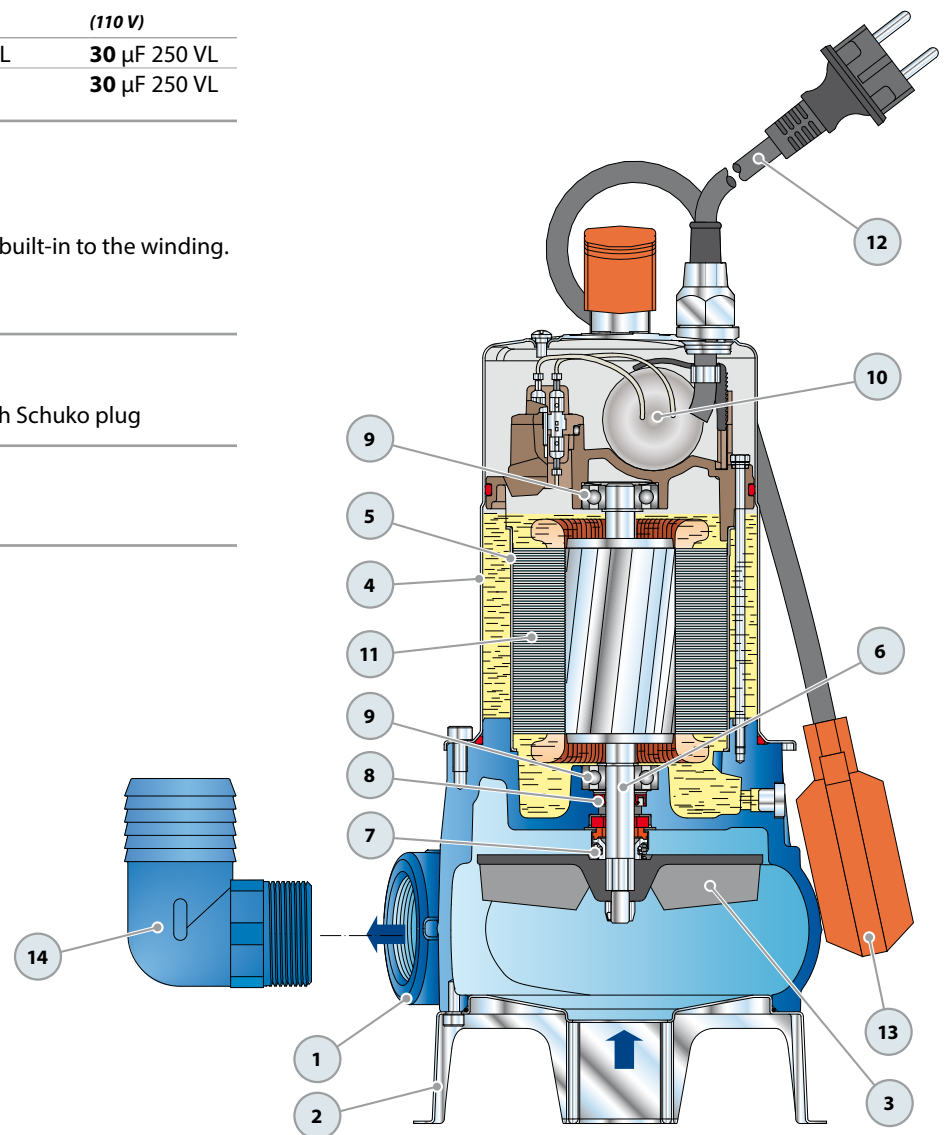


MODEL	POWER		Q	Flow rate													
	kW	HP		0	1.5	3.0	4.5	6.0	9.0	12.0	15.0	18.0	21.0	24.0			
Single-phase			l/min	0	25	50	75	100	150	200	250	300	350	400			
ZXm 1B/40	0.50	0.70	H metres	9	8.5	8.3	8	7.5	6.5	5.2	4	2.5	1				
ZXm 1A/40	0.60	0.85		11	10.5	10	9.5	9.2	8.2	7	5.7	4.3	2.8	1.5			

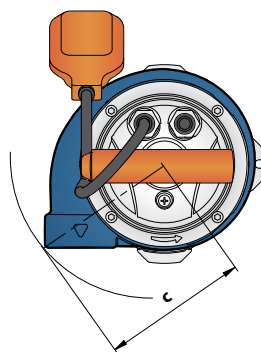
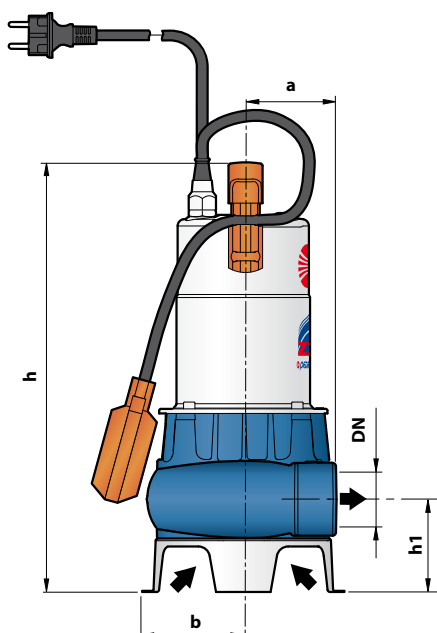
Q = Flow rate H = Total manometric head

Tolerance of characteristic curves in compliance with EN ISO 9906 Grade 3.

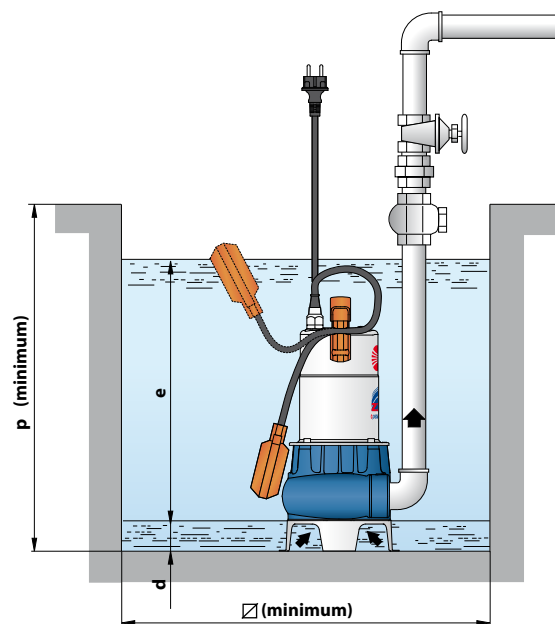
POS.	COMPONENT	CONSTRUCTION CHARACTERISTICS
1	PUMP BODY	Cast iron, with threaded port in compliance with ISO 228/1
2	BASE	Stainless steel AISI 304
3	IMPELLER	Technopolymer VORTEX type
4	MOTOR SLEEVE	Stainless steel AISI 304
5	MOTOR CASING	Steel
6	MOTOR SHAFT	Stainless steel EN 10088-3 - 1.4104
7	SHAFT WITH DOUBLE SEAL	
	<i>Seal</i>	<i>Shaft</i>
	<i>Model</i>	<i>Diameter</i>
	AR-12R	Ø 12 mm
		<i>Stationary ring</i>
		Ceramic
		<i>Rotational ring</i>
		Graphite
		<i>Elastomer</i>
		NBR
8	LIP SEAL	Ø 12 x Ø 22 x H 6 mm
9	BEARINGS	6201 ZZ / 6201 ZZ
10	CAPACITOR	
	<i>Pump</i>	<i>Capacitance</i>
	<i>Single-phase</i>	<i>(230 V or 240 V)</i>
	ZXm 1B/40	12.5 µF 450 VL
	ZXm 1A/40	16 µF 450 VL
		<i>(110 V)</i>
		30 µF 250 VL
		30 µF 250 VL
11	ELECTRIC MOTOR	
		– Single-phase 230 V - 50 Hz with thermal overload protector built-in to the winding.
		– Insulation: F class.
		– Protection: IP X8.
12	POWER CABLE	
		5 metre long "H07 RN-F" cable with Schuko plug
13	FLOAT SWITCH	(only for single-phase versions)
14	HOSE CONNECTION	
		Ø 50 mm



DIMENSIONS AND WEIGHT



Typical installation



MODEL	PORT DN	solids passage	DIMENSIONS mm									kg	
			a	b	c	h	h1	d	e	p	Ø		
Single-phase	1½"	Ø 40 mm	75	87	130	378	82	50	variable	450	450	1~	
ZXm 1B/40													11.5
ZXm 1A/40													11.7

ABSORPTION

MODEL	VOLTAGE (single-phase)		
	230 V	240 V	110 V
Single-phase			
ZXm 1B/40	3.3 A	3.3 A	7.0 A
ZXm 1A/40	4.5 A	4.5 A	9.0 A

PALLETIZATION

MODEL	GROUPAGE			CONTAINER		
	n° pumps	H (mm)	kg	n° pumps	H (mm)	kg
Single-phase						
ZXm 1B/40	60	1460	709	80	1900	940
ZXm 1A/40	60	1460	721	80	1900	956

